

12

11

10

9

8

7

6

5

4

3

2

1

H

H

G

G

F

F

E

E

D

D

C

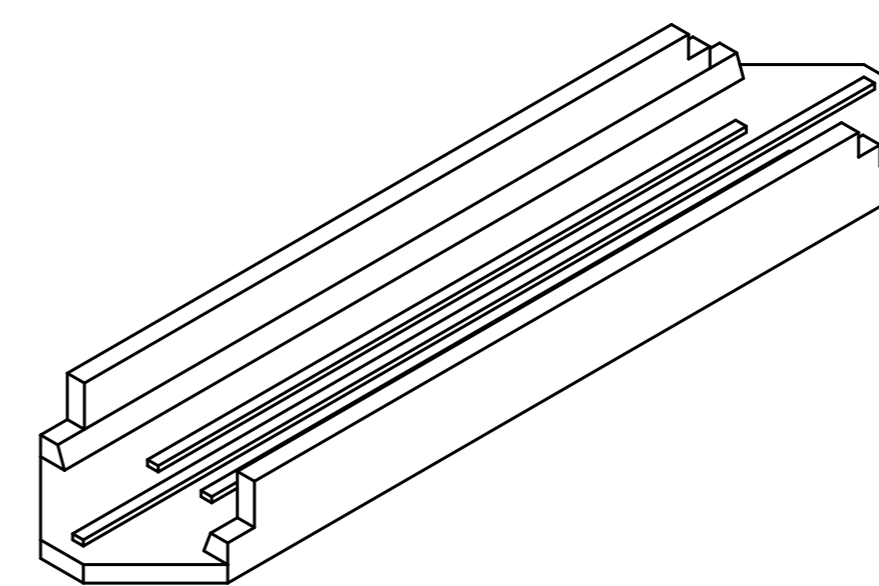
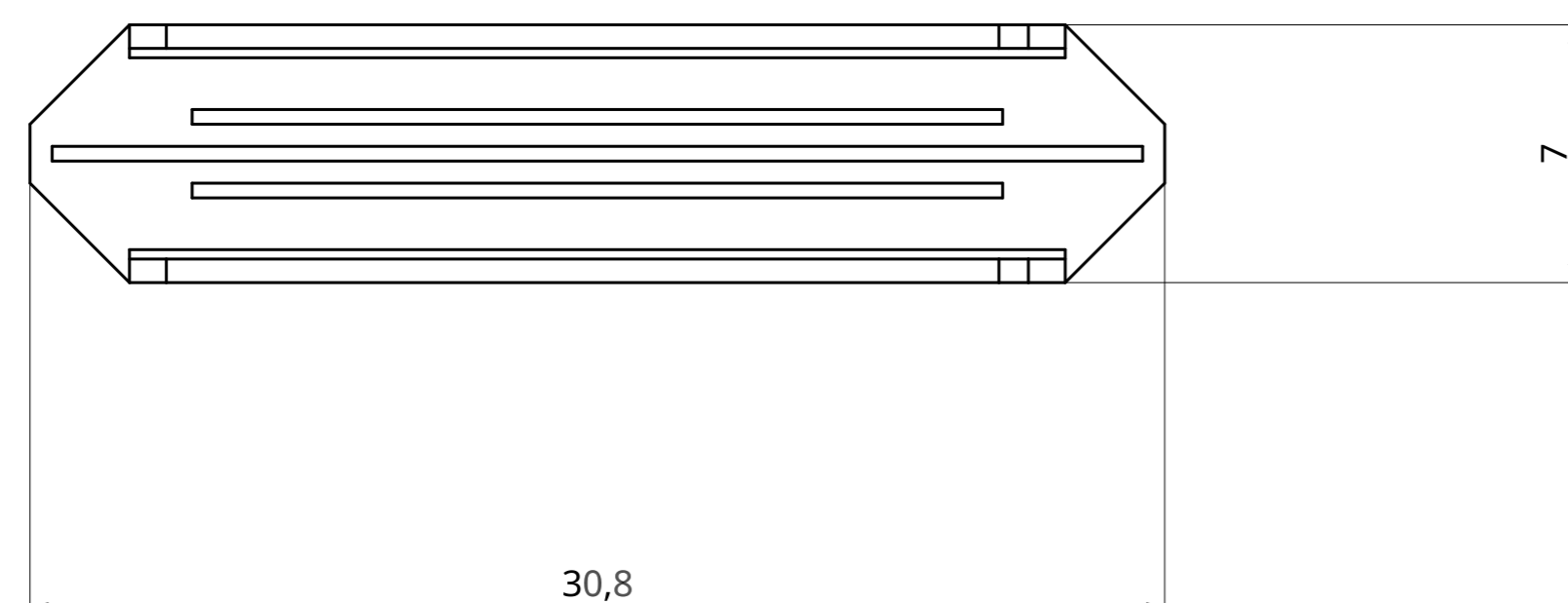
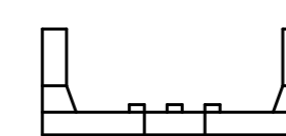
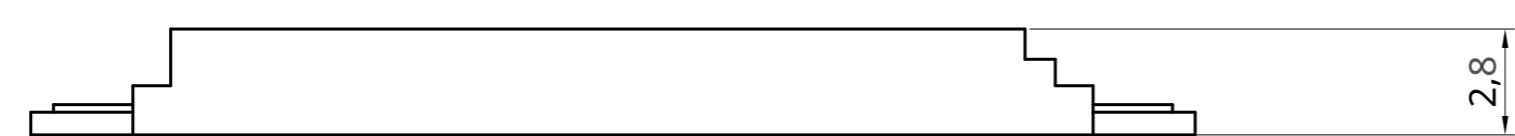
C

B

B

A

A



UNLESS OTHERWISE SPECIFIED, DIMENSIONS ARE IN MILLIMETERS		NAME	SIGNATURE	DATE		
ANGULAR = ± °		NCC1717		2020-06-21		
SURFACE FINISH		CHECKED			TITLE	
DO NOT SCALE DRAWING		APPROVED			Admiralty Floating Dock	
BREAK ALL SHARP EDGES AND REMOVE BURRS					SIZE	DWG NO.
FIRST ANGLE PROJECTION	MATERIAL		FINISH		A1	AFD4, 5
					SCALE	WEIGHT
					5:1	
					SHEET	1 of 1

12

11

10

9

8

7

6

5

4

3

2

1